

CHETWYND

06-4010BRN
ROMAN TUB FAUCET

Taymor



FEATURES

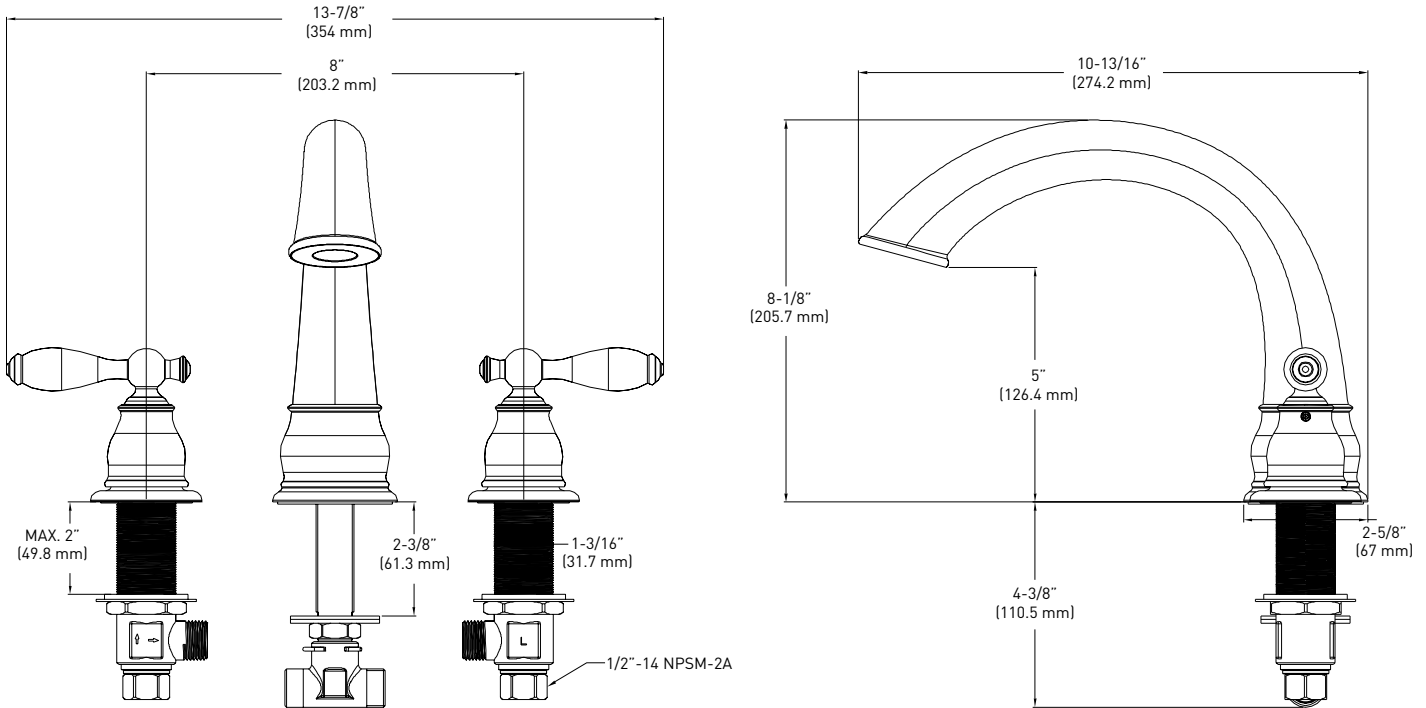
- TWO LEVER HANDLES
- AVAILABLE IN HERITAGE BRONZE
- 3-HOLE DECK MOUNT
- CERAMIC CARTRIDGE
- MINIMUM FLOW RATE: 2.4 GPM/9.0 LPM @ 20 PSI
- FACTORY PRESSURE TESTED

- cUPC CERTIFIED



CHETWYND

06-4010BRN
ROMAN TUB FAUCET



CRITICAL DIMENSIONS NOT TO SCALE

CONSTRUCTION

- METAL CONSTRUCTION WITH AGED BRONZE FINISH
- BRASS VALVE BODIES

MOUNTING

- DESIGNED TO INSTALL THROUGH 3 HOLES, 1-1/4" (32 mm) MIN. DIA. WITH 8" (203 mm) CENTERS ON DECKS UP TO 2" (50 mm)

INLET

- 1/2"-14 NPSM THREADED MALE INLET SHANKS

OPERATION

- QUARTER-TURN LEVER STYLE HANDLES
- OPERATES WITH LESS THAN 5 LBS. OF FORCE

WATER-CONTROL MECHANISM

- CARTRIDGE
- CERAMIC DISC VALVES

FLOW

- AERATOR LIMITS MAXIMUM FLOW RATE TO 2.4 GPM MAX. (9 L/MIN.) @ 60 PSI

CODES/STANDARDS APPLICABLE

- cUPC CERTIFIED
- ASME A112.18.1

GUARANTEE

- LIMITED LIFETIME GUARANTEE AGAINST DEFECTS IN MATERIAL AND WORKMANSHIP TO ORIGINAL CONSUMER PURCHASER
- 5 YEAR WARRANTY IF USED IN INDUSTRIAL, COMMERCIAL AND BUSINESS INSTALLATIONS



	<p>DESCRIPTION</p> <p>TWO LEVER HANDLE ROMAN TUB FAUCET</p>	<p>AGED BRONZE</p> <p>06-4010BRN</p>	<p>CASE QTY.</p> <p>4</p>
--	---	--------------------------------------	---------------------------