

## PREMIER DEADBOLT - RETAIL

### THE PREMIER LINE SQUARE DEADBOLT



SQUARE DEADBOLT  
EXTERIOR



SQUARE DEADBOLT  
INTERIOR

#### AVAILABLE FINISHES

10B+  
AGED  
BRONZE



15  
SATIN  
NICKEL



19  
MATTE  
BLACK



26  
POLISHED  
CHROME

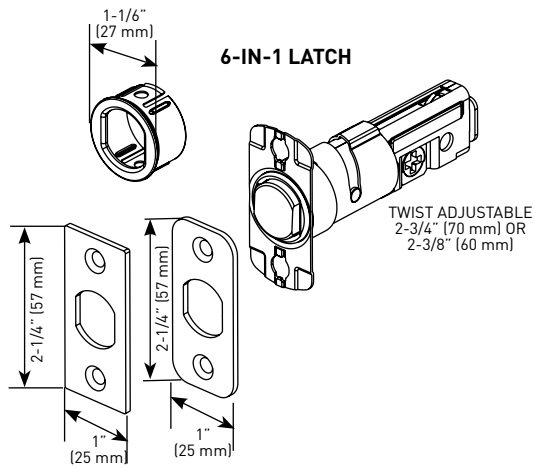
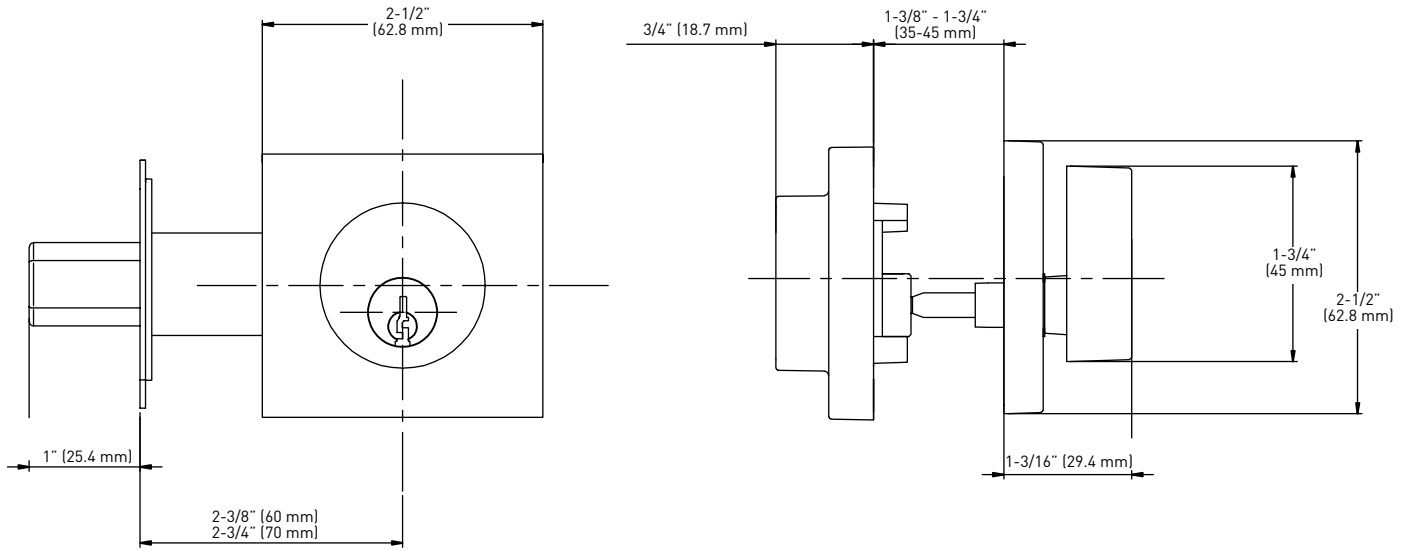


26D  
SATIN  
CHROME

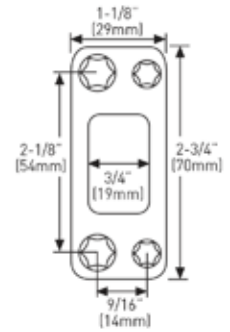


#### FEATURES

- ADA THUMBTURN
- 6-IN-1 ADJUSTABLE LATCH
- FOR 1-3/8" TO 1-3/4" THICK DOORS
- 1" HIGH TENSILE STEEL, ANTI-SAW DEADBOLT
- HIGH SECURITY STRIKE
- ANSI/BHMA GRADE 3
- WR5 5-PIN CYLINDER
- PREMIER VISUAL PACK (KD)
- LIFETIME MECHANICAL AND FINISH WARRANTY



**HIGH SECURITY STRIKE**



	10B+ AGED BRONZE	15 SATIN NICKEL	19 MATTE BLACK	26 POLISHED CHROME	26D SATIN CHROME	CASE PACK
RETAIL SQUARE DEADBOLT	31-FV01WR502BRN	31-FV01WR502SN	31-FV01WR502BLK	31-FV01WR502PC	31-FV01WR502SC	4