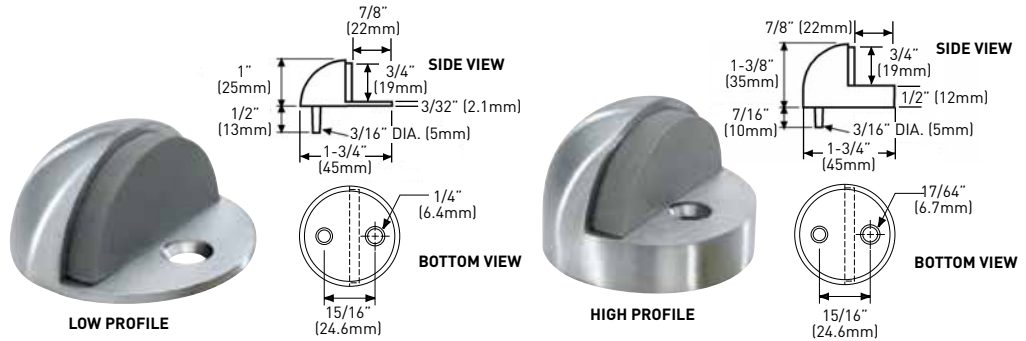


COMMERCIAL HARDWARE

ARCHITECTURAL DOOR STOPS

FLOOR STOPS

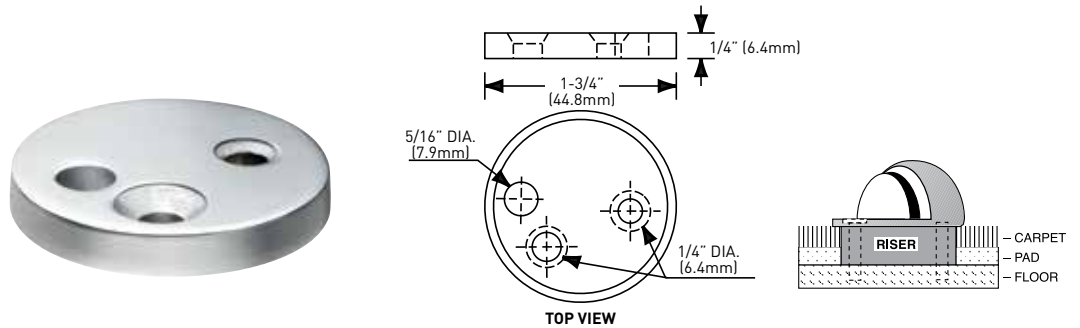
- > COMPLETE WITH SCREW & EXPANSION SHIELD
- > ZINC DIE-CAST CONSTRUCTION
- > RUBBER BUMPERS



POLY BAGGED WITH UPC	15 SATIN NICKEL	26D SATIN CHROME	CASE PACK
LOW PROFILE	25-4609DN	25-4609DC	10
HIGH PROFILE	25-4610DN	25-4610DC	10

ARCHITECTURAL RISER

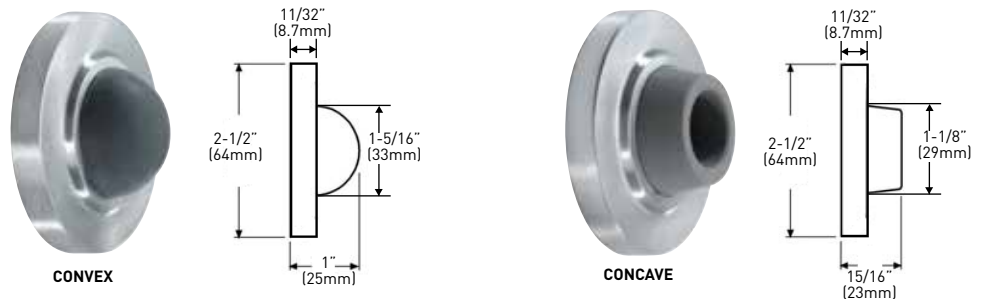
- > RISER FOR 25-4609 & 25-4610
- > COMPLETE WITH SCREW & EXPANSION SHIELD
- > ZINC DIE-CAST CONSTRUCTION



POLY BAGGED WITH UPC	ALUMINUM	CASE PACK
ARCHITECTURAL RISER	25-4608AL	100

WALL STOPS

- > COMPLETE WITH SCREW & EXPANSION SHIELD
- > ZINC DIE-CAST CONSTRUCTION
- > RUBBER BUMPERS



POLY BAGGED WITH UPC	15 SATIN NICKEL	26D SATIN CHROME	CASE PACK
CONVEX	25-4611DN	25-4611DC	10
CONCAVE	25-4612DN	25-4612DC	10