

Taymor® | PRODUCT SPECIFICATIONS

Premier

TAYMOR® PREMIER INTERCONNECTED LOCK

FEATURES

- › SINGLE MOTION OF INSIDE LEVER SIMULTANEOUSLY RETRACTS LATCHBOLT AND DEADBOLT FOR QUICK AND EASY EGRESS
- › INTERCHANGEABLE WITH ANY TAYMOR PREMIER SERIES LEVER TRIM
- › CONFORMS TO CALIFORNIA STATE REFERENCE CODE WHEN USED WITH CATANA LEVER (LEVER RETURNING TO WITHIN 1/2" OF DOOR FACE)
- › 2-IN-1 LATCHES WITH ADJUSTABLE BACKSET: 2-3/8" (60 MM) – 2-3/4" (70 MM)
- › SQUARE CORNER FACE PLATES 1" X 2-1/4" FOR DEADBOLT AND SPRING LATCH
- › INCLUDES LATCH LINER FOR 1-1/8" WIDE PREP
- › HIGH TENSILE STEEL ANTI-SAW DEADBOLT WITH 1" THROW
- › FITS STANDARD 5-1/2" (140 MM) C/C BORE DISTANCE AND 2-1/8" (54 MM) BORE HOLE DIAMETER
- › FITS DOOR THICKNESS: 1-3/4" (45 MM) – 2-1/8" (54 MM)
- › FULL LIP RADIUS CORNER SPRING LATCH STRIKE WITH ADJUSTABLE TAB
- › HIGH SECURITY DEADBOLT STRIKE



INTERIOR

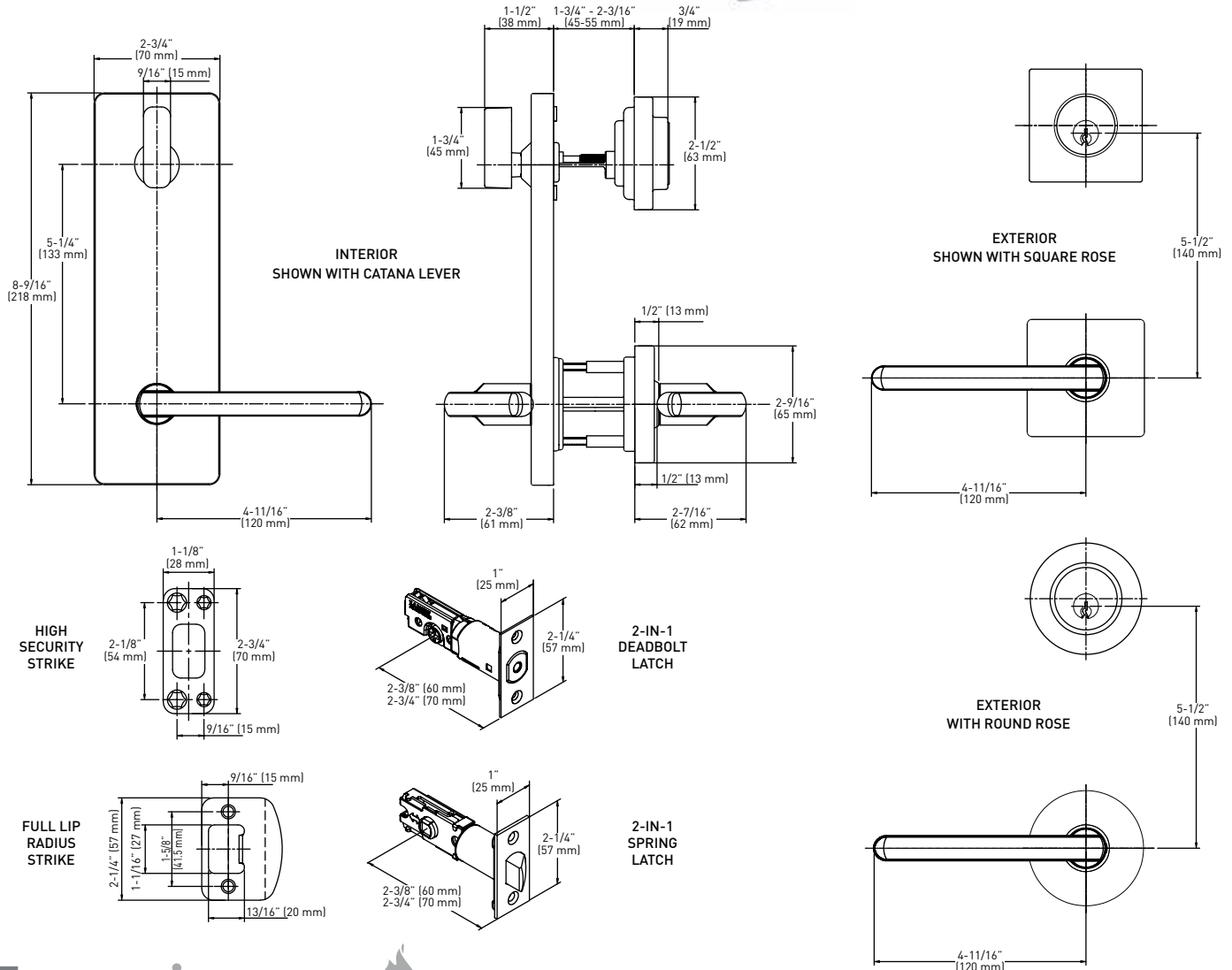
SHOWN WITH CATANA LEVER



EXTERIOR WITH SQUARE ROSE



EXTERIOR WITH ROUND ROSE



GRADE 2

ANSI GRADE 2



Meets ADA standards



FIRE RATED

UL certified for 3-hour fire rating



FULL KEYING SERVICES AVAILABLE

6 pin SC4 keyway, packaged in Keyed Different.



LIMITED LIFETIME MECHANICAL & FINISH WARRANTY

JANUARY 2017

© TAYMOR INDUSTRIES LTD | taymor.com
CUSTOMER SERVICE WEST 1-800-267-4774 | EAST 1-800-387-7064



STANDARD TAYMOR® PREMIER INTERCONNECTED LOCK

STOCKED ITEMS

	EXTERIOR TRIM	INTERIOR TRIM	SQUARE ROSE	ROUND ROSE
SATIN NICKEL 15	CATANA	CATANA	30-INTSQ66SN	30-INTRD66SN
	CATANA	VEGA	30-INTSQ6664SNSN	30-INTRD6664SNSN
	CATANA	BERGEN	30-INTSQ6662SNSN	30-INTRD6662SNSN
	VEGA	VEGA	30-INTSQ64SN	30-INTRD64SN
	BERGEN	BERGEN	30-INTSQ62SN	30-INTRD62SN
POLISHED CHROME 26	CATANA	CATANA	30-INTSQ66PC	30-INTRD66PC
	CATANA	VEGA	30-INTSQ6664PCPC	30-INTRD6664PCPC
	CATANA	BERGEN	30-INTSQ6662PCPC	30-INTRD6662PCPC
	VEGA	VEGA	30-INTSQ64PC	30-INTRD64PC
	BERGEN	BERGEN	30-INTSQ62PC	30-INTRD62PC

SPLIT FINISH/TRIM TAYMOR® PREMIER INTERCONNECTED LOCK

SPECIAL ORDER ITEMS

60 pieces minimum quantity and 100 days lead time apply to all split finish/trim orders

HOW TO ORDER

Add desired style, trim, and finish code to the item number [30-INT]

Please note: the cells highlighted in the tables below are for illustrative purposes only.

PREMIER	STYLE	EXTERIOR TRIM	INTERIOR TRIM	EXTERIOR FINISH	INTERIOR FINISH	DOOR HANDING**
30-INT	SQ SQUARE ROSE	66 CATANA	66 CATANA	BRN AGED BRONZE	BRN AGED BRONZE	R RIGHT HANDED
	RD ROUND ROSE	64 VEGA	64 VEGA	SN SATIN NICKEL	SN SATIN NICKEL	L LEFT HANDED
		62 BERGEN	62 BERGEN	BLK MATTE BLACK	BLK MATTE BLACK	
		63 BRITANNIA**	63 BRITANNIA**	PC POLISHED CHROME	PC POLISHED CHROME	
		44 EQUINOX	44 EQUINOX	SC SATIN CHROME	SC SATIN CHROME	
		45 ESSEX**	45 ESSEX**			
		49 STOCKHOLM	49 STOCKHOLM			
		65 WELLS	65 WELLS			
		46 CITATION	46 CITATION			
		47 COPENHAGEN**	47 COPENHAGEN**			
	48 HELSINKI	48 HELSINKI				

**SPECIFY DOOR HANDING FOR BRITANNIA, ESSEX OR COPENHAGEN TRIM.

FOR EXAMPLE

